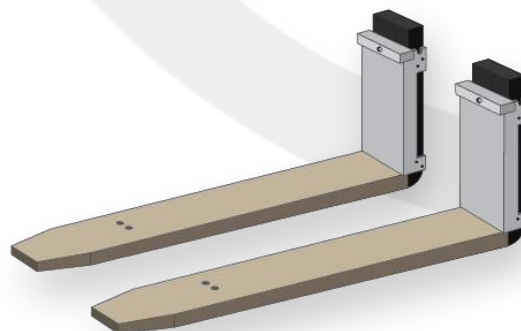


FS5 LIFT TRUCK SCALE



THE SUPER ACCURATE, AFFORDABLE FORKS OF THE SCALE

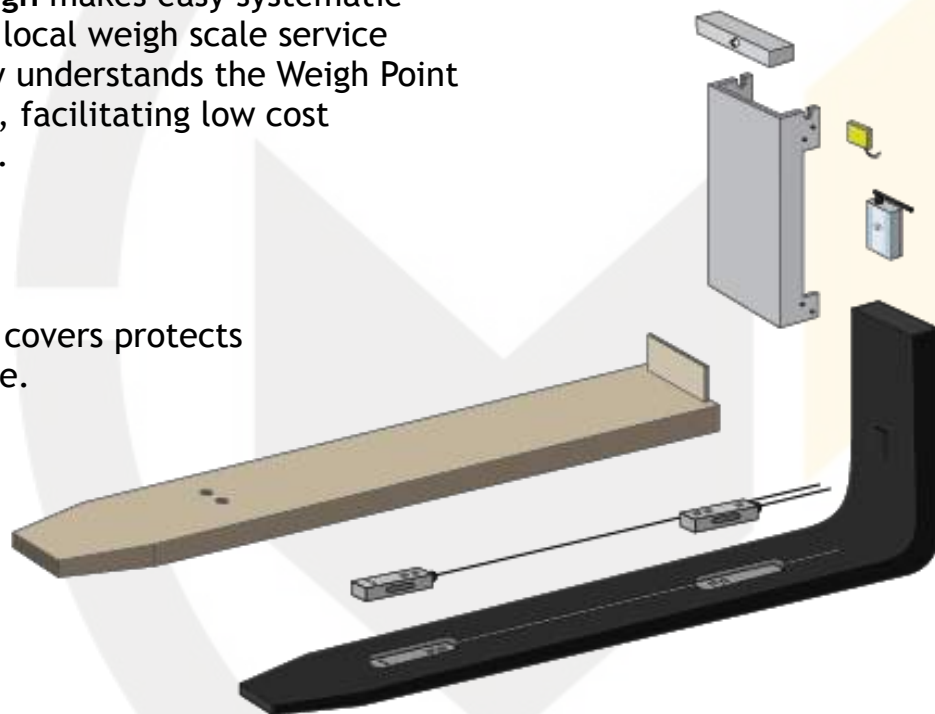
PATENTED IN USA, CANADA & EUROPE

Modular design makes easy systematic repairs. Your local weigh scale service provider fully understands the Weigh Point system. Thus, facilitating low cost maintenance.

Cover - Heavy gage steel covers protects against accidental damage.

Load Cells - Equipped with patented dome technology dramatically reduces recalibration and provides misalignment and corrects control damage errors

Battery - High capacity rechargeable battery allows labour free exchange



Forks - Under 2" fork thickness provides easy entry. The high grade load sensor detects the smallest of weights

The FS5 is protected under patents pending

THE RELIABLE HIGH PERFORMANCE INDICATOR AND WIRELESS DISPLAY

- Virtual cable free “fork-to-cab” wireless with quick exchange rechargeable battery.
- Full function model WP9500 3 channel digital display with bright LED display.



WP9500 Indicator



Wireless Receiver

Please Note: The **FS5** system is derived from our legal for trade initiative. Although the FS5 has not been government certified the FS5 might meet accuracy requirements for legal for trade status but cannot be utilized for “buy or sell” trade applications.

This scale design, the result of **10 years** of Weigh Point development has several unique features.

SPECS

- Accuracy 100% \pm 2kgs. of applied load
- Standard ITA Class II (other classes available)
- Operates to truck's capacity
- Overload 200%
- Graduations: size selectable
- Units of measure: selectable lbs. or kgs.
- Originators of World famous sensed scales
- Patented in U.S, Canada & Europe

- The **FS5** maintains the lift truck's capacity
- The system includes the fork assemblies thus saving the cost of fork procurement
- The system can be completely portable thus eliminating installation costs or removal expense
- The outstanding accuracy of this system is guaranteed by its legal for trade-counterpart currently being developed
- Made in Canada by venerable Weigh Point, a 35-year old establishment
- The **FS5** can be temporarily installed and tested in just a few minutes. That's no exaggeration! The end-user can see the results immediately without undergoing costly alterations to the truck or expensive downtime

How it Works

The **FS5** utilizes 4 high capacity loadcells imbedded in the forks. These operate with a unique patent pending design that sends an accurate weight signal to a state-of-the-art microprocessor display. This system can also use a piece counting weight display for automatically weighing parts.

The forks are capable of fitting standard pallets and are equipped with a tapered nose section.

THE FACTS

FEATURES

- Forks are included in system
- Installs in minutes for testing accuracy or short term operation
- Time is money! Save time by cutting out unnecessary trips to a floor scale
- Retains integrity of lift truck, scale does not need to be removed for non-weighing operations
- Easy to operate. No extensive training required
- Serviceability – The system can be serviced in-house by your maintenance department. Weigh Point can provide training
- The system components are familiar with local scale service companies
- You choose your preferred service firm and we'll provide the information required to keep the system running with a minimum downtime

🕒 ACCURACY

- Robust weigh system clamps on easily without alterations to the truck
- Especially designed for punishing cross docking operations
- The choice for shipping and receiving or harsh production environments
- 99.6 to 99.8% depending upon selected model

🛡️ UNMATCHED SAFETY

- The operator view is not obstructive by solid false carriage between the masts
- The lift trucks manufacturers weight specifications are not diminished as there is no need for a false carriage
- Overload alert can control maximum load limits

⚙️ RUGGED

- Years of operation without the need to recalibrate. (Certification can be performed by your local scale company)
- Security code and break seal are required to activate calibration and settings, thus preventing tampering